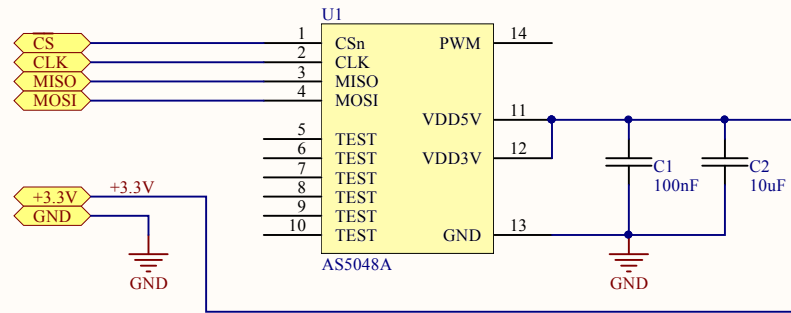


# ENCODER

## AS5048A

### SPI interface

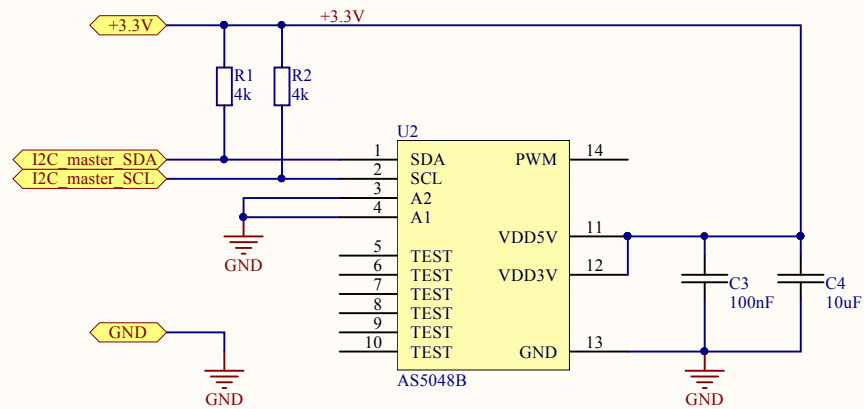


# ENCODER

## AS5048B

### I2C interface

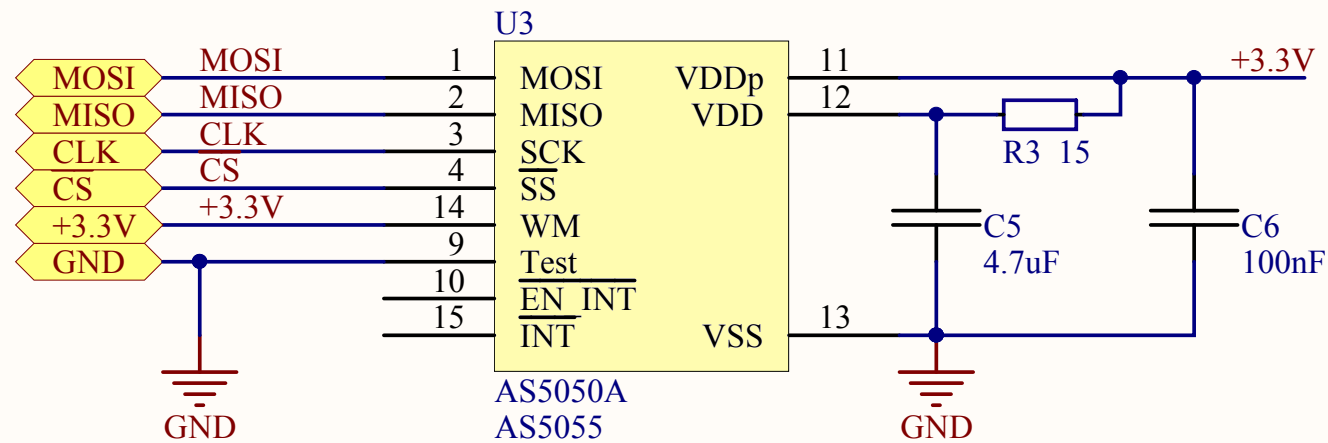
Uses only with LQFP48, UFQFPN48, UFBGA64 MCU cases.



# ENCODER

## AS5050A/AS5055

### SPI interface



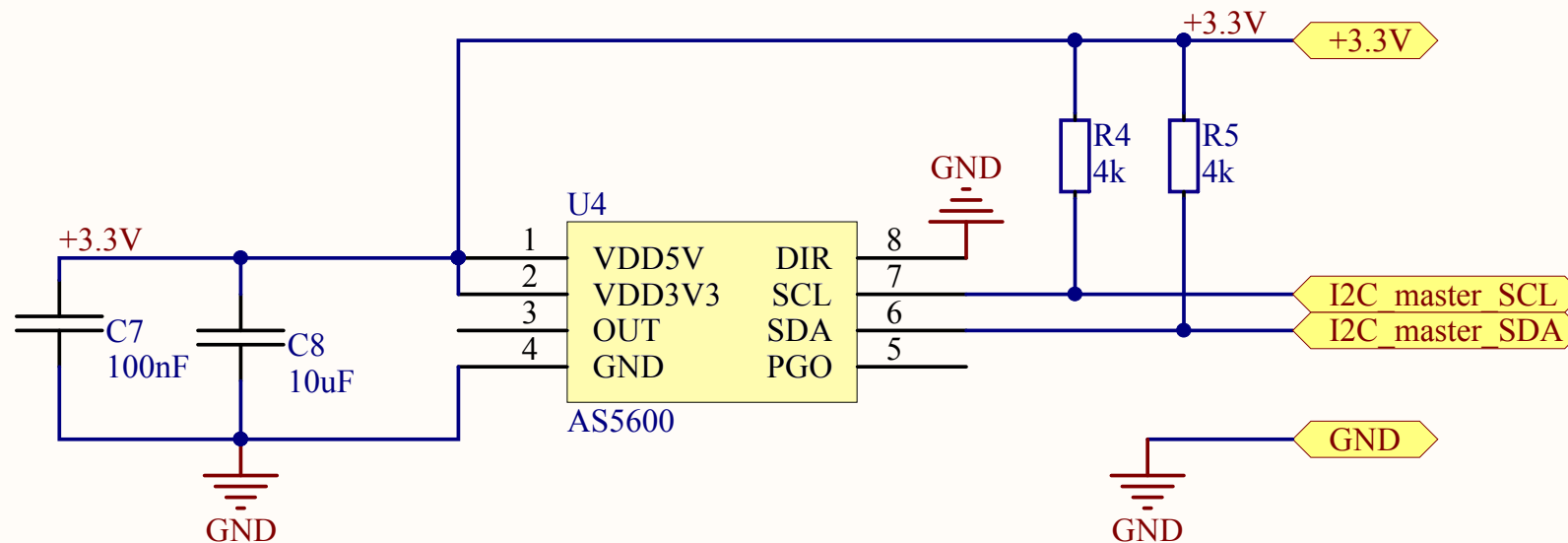
SBGC32\_I2C\_Drv rev. 1.0  
 2015 (c) Basecamelectronics  
<http://www.basecamelectronics.com>

# ENCODER

## AS5600

### I2C interface

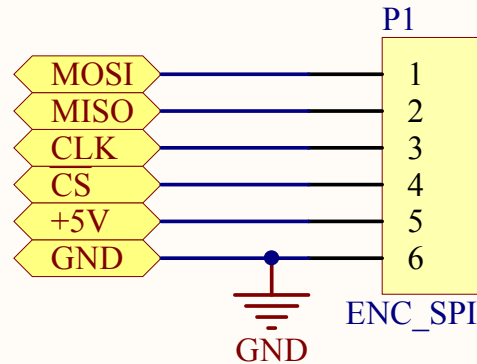
Uses only with LQFP48, UFQFPN48, UFBGA64 MCU cases



SBGC32\_I2C\_Drv rev. 1.0  
2015 (c) Basecamelectronics  
<http://www.basecamelectronics.com>

# ENCODER

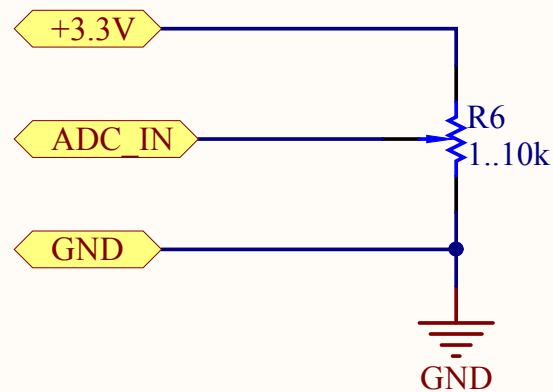
External AMT203  
SPI interface



SBGC32\_I2C\_Drv rev. 1.0  
2015 (c) Basecamelectronics  
<http://www.basecamelectronics.com>

# ENCODER

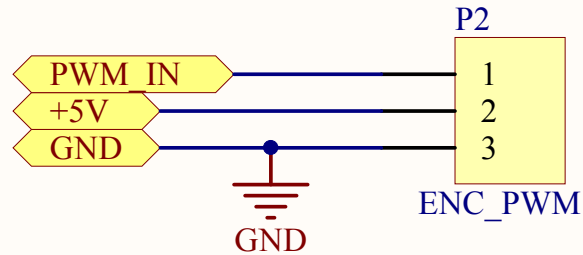
External resistive  
Analog interface



SBGC32\_I2C\_Drv rev. 1.0  
2015 (c) Basecamelectronics  
<http://www.basecamelectronics.com>

# ENCODER

External MA3  
PWM interface

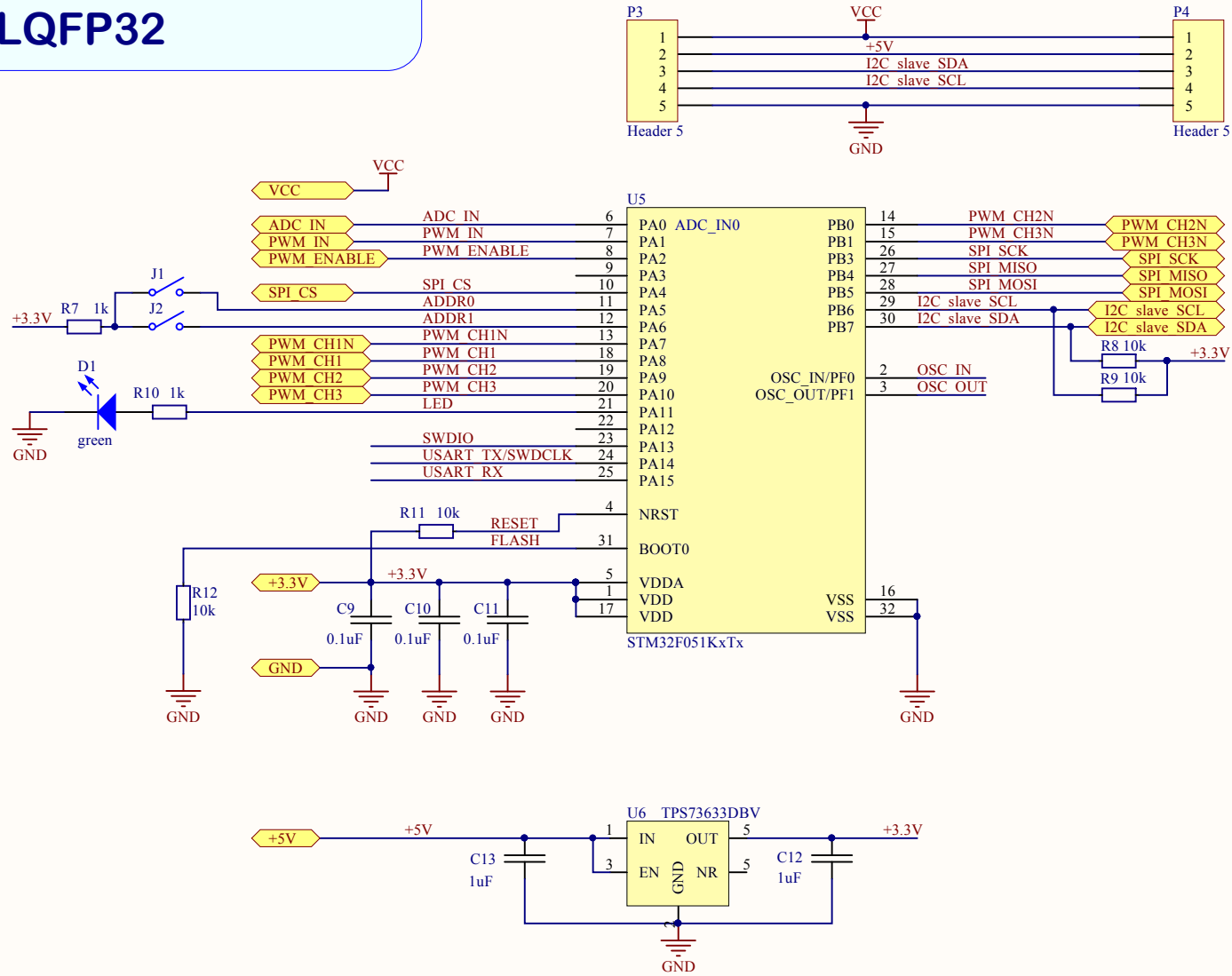


SBGC32\_I2C\_Drv rev. 1.0  
2015 (c) Basecamelectronics  
<http://www.basecamelectronics.com>

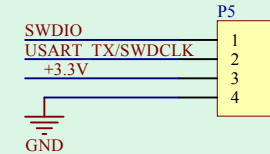
# MCU module

## STM32F051KxTx

### LQFP32

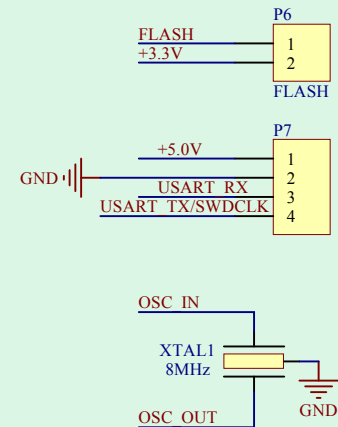


#### Firmware updating option 1



OR

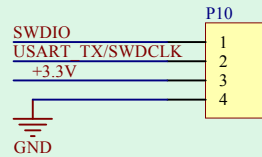
#### Firmware updating option 2





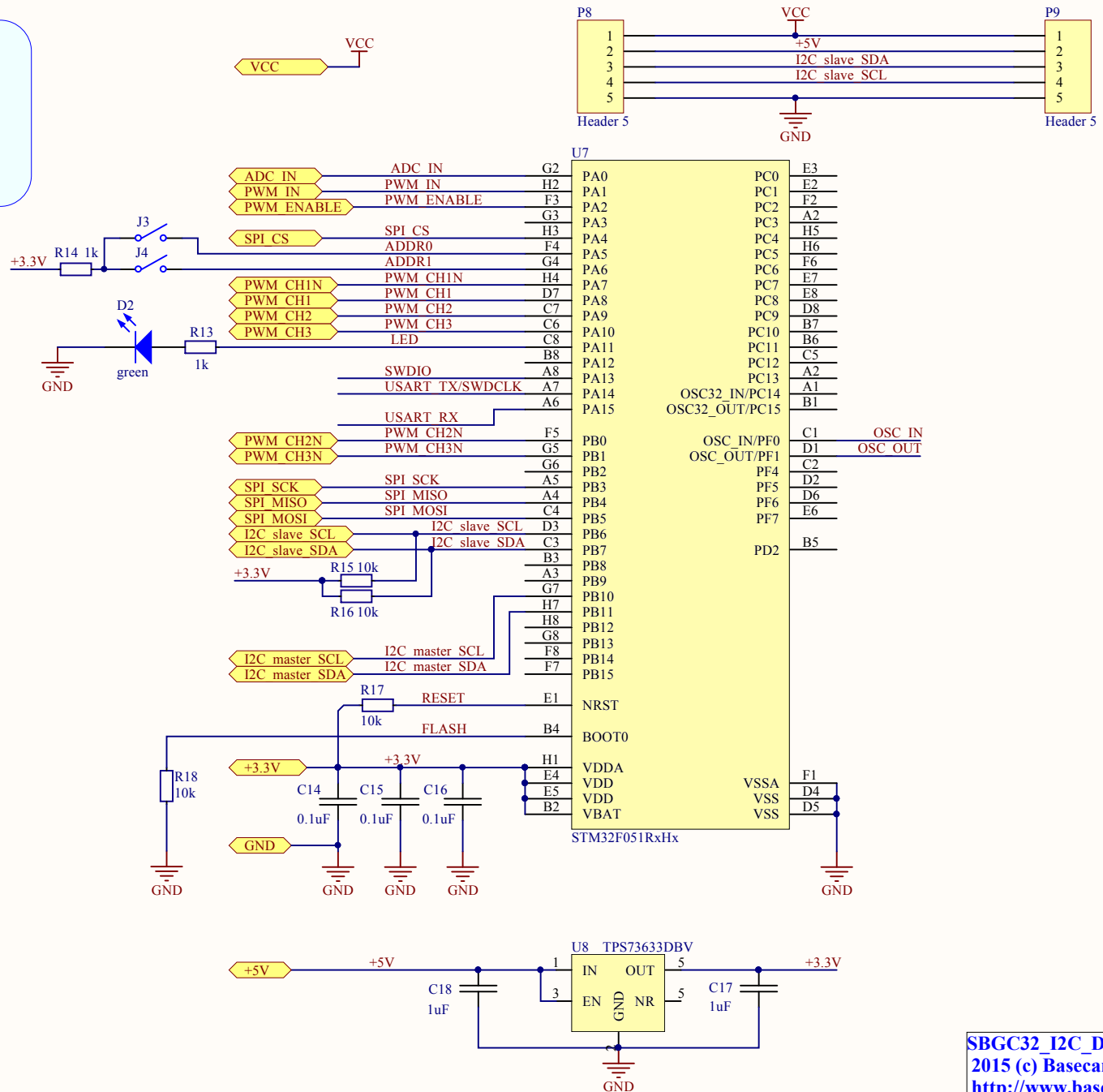
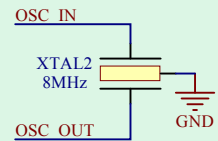
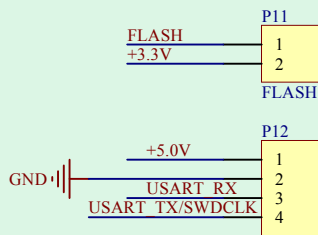
# MCU module STM32F051RxHx UFBGA64

## Firmware updating option 1



OR

## Firmware updating option 2

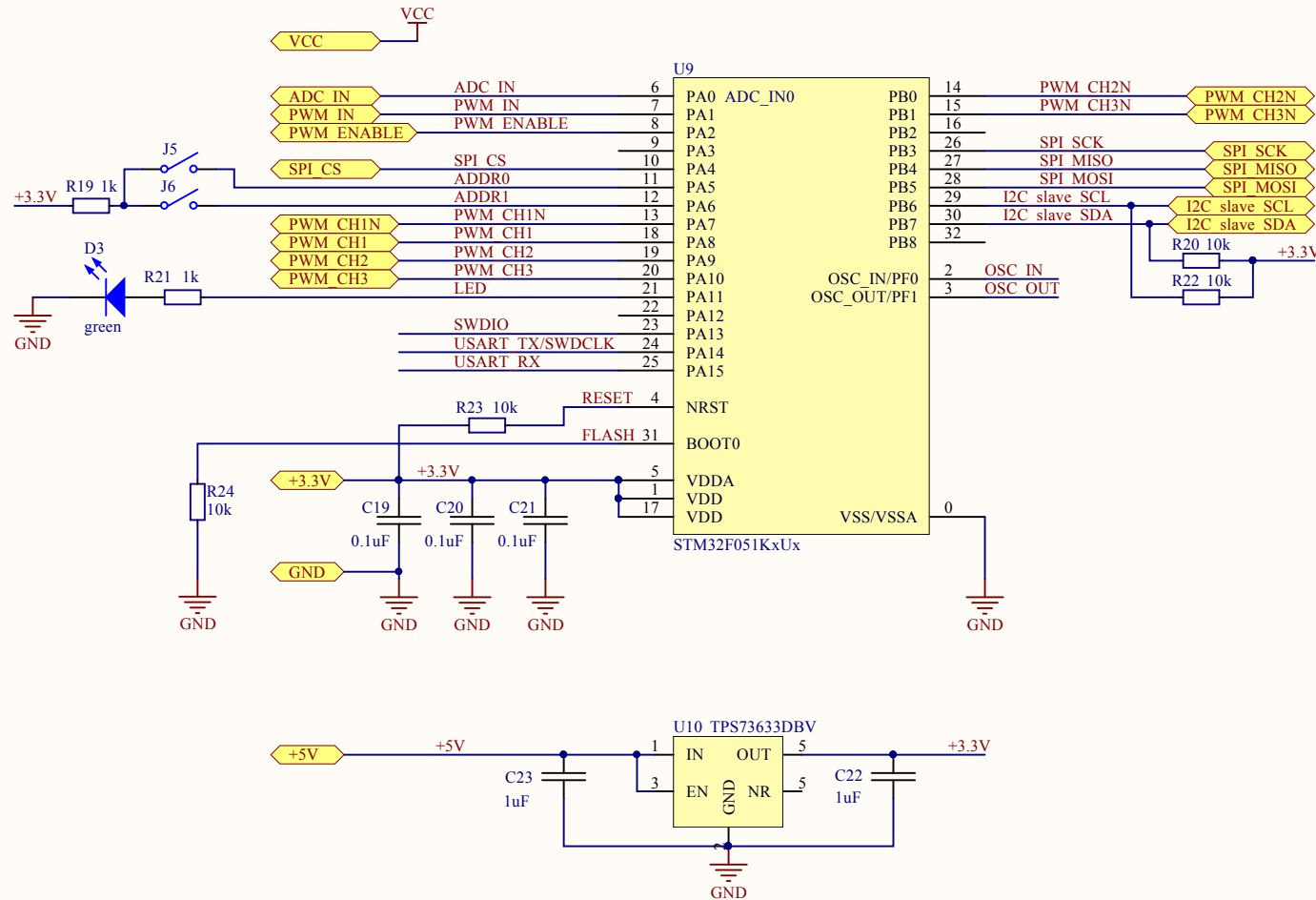
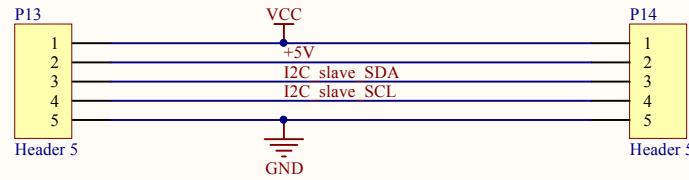


SBG32\_I2C\_Drv rev. 1.0  
2015 (c) Basecamelectronics  
<http://www.basecamelectronics.com>

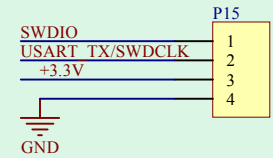
# MCU module

## STM32F051KxUx

### UFQFPN32

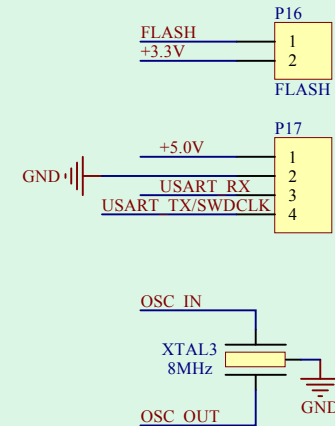


#### Firmware updating option 1



OR

#### Firmware updating option 2



# MCU module

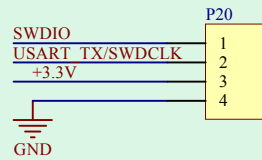
## STM32F051CxUx

## LQFP48

## STM32F051CxTx

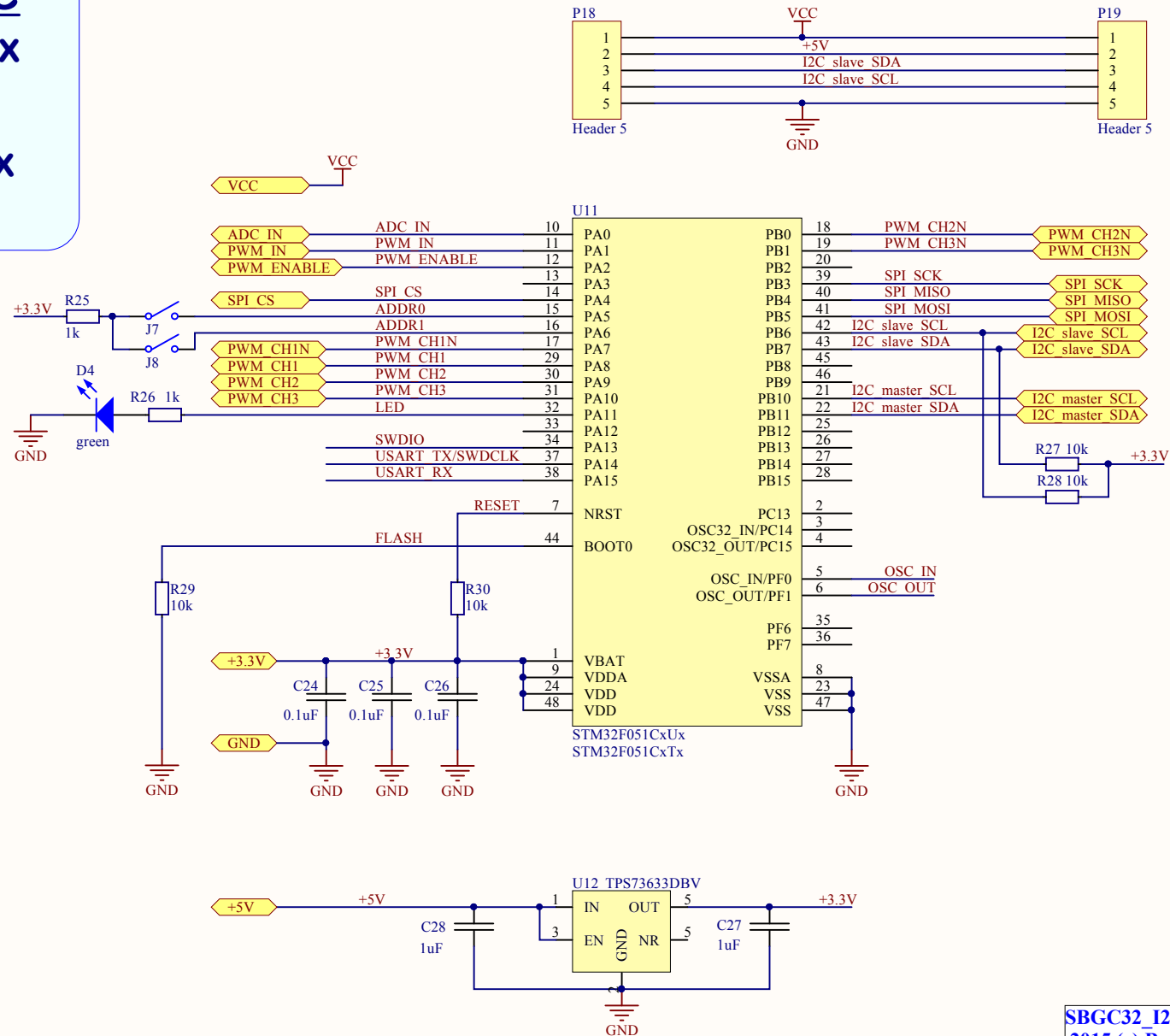
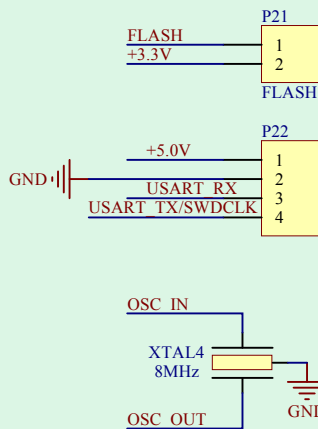
## UFQFPN48

### Firmware updating option 1



OR

### Firmware updating option 2



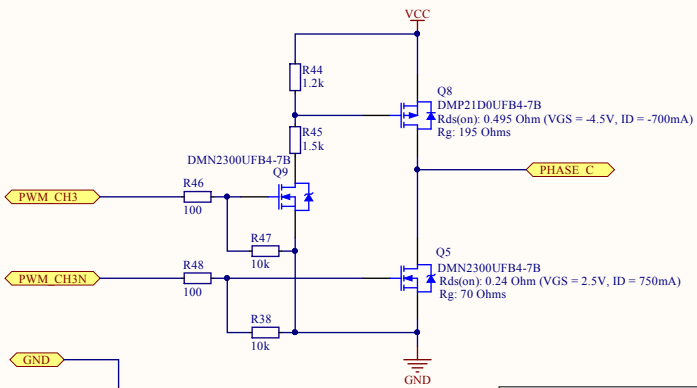
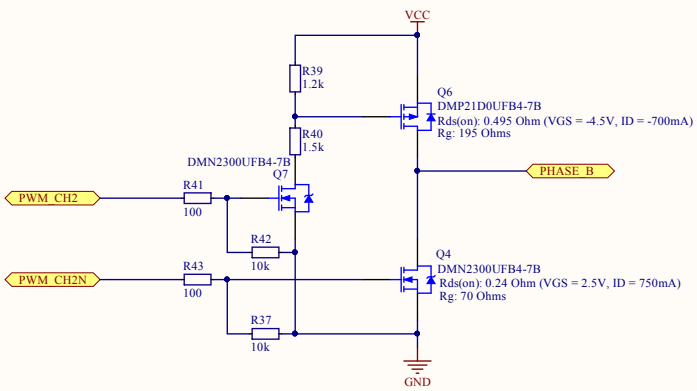
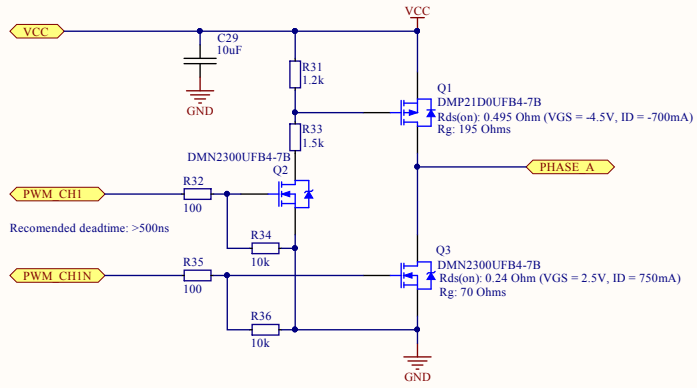
SBGC32\_I2C\_Drv rev. 1.0  
 2015 (c) Basecamelectronics  
<http://www.basecamelectronics.com>

# MOTOR DRIVER

## FET-based example

V<sub>CC</sub> < 16.8V

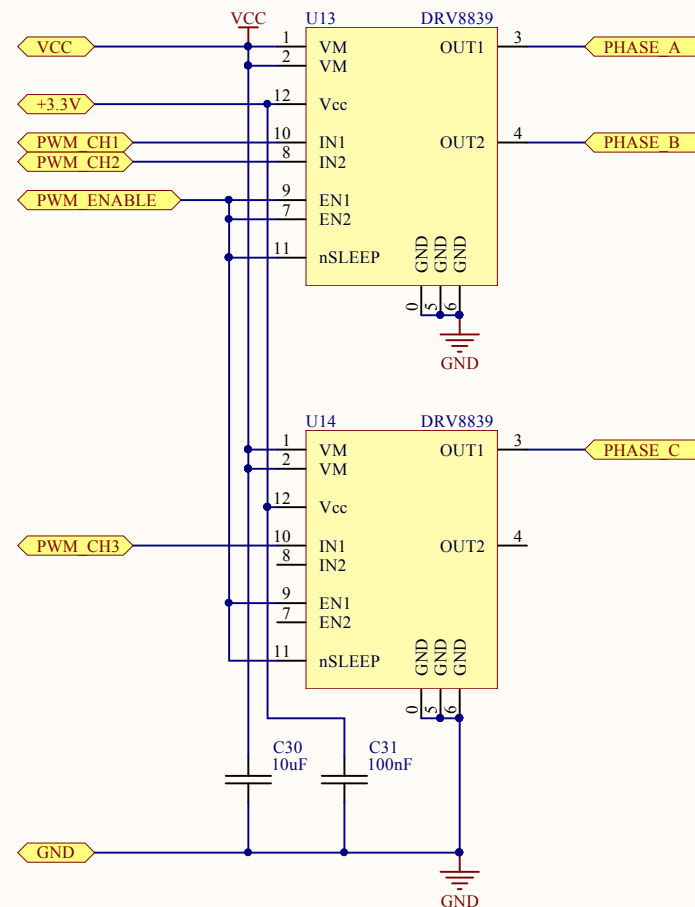
Recommended deadtime: >500ns



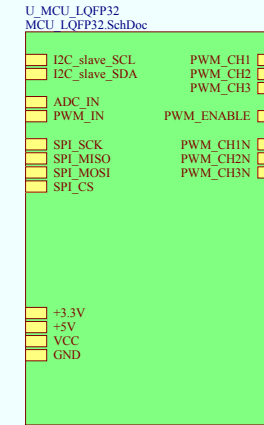
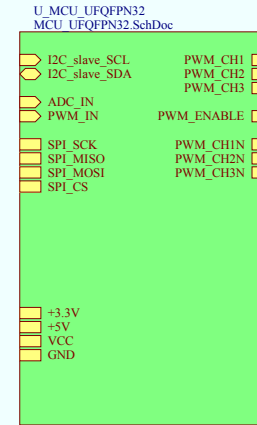
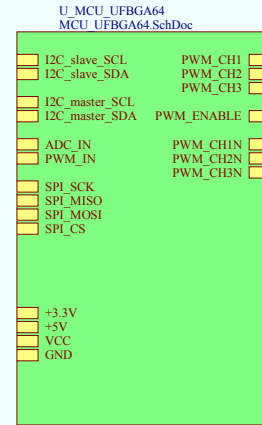
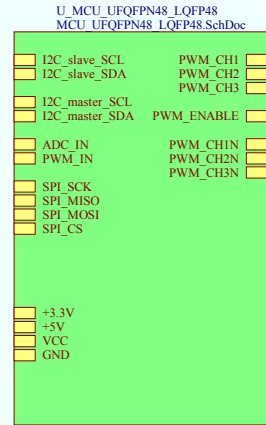
# MOTOR DRIVER

IC-based example

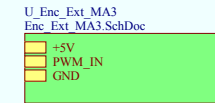
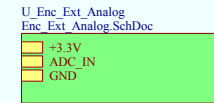
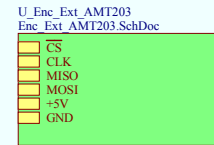
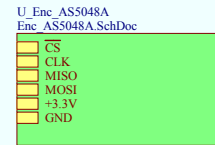
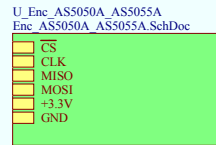
$V_{cc} < 11V$



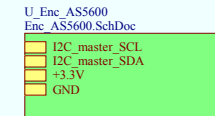
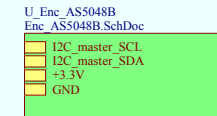
# MCU



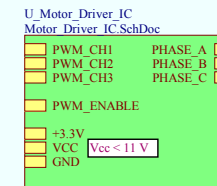
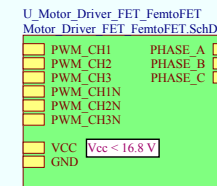
# Encoder



Uses only with LQFP48, UFQFPN48, UFBGA64 MCU cases



# Motor driver \*



\* Pay attention at Vcc limit !