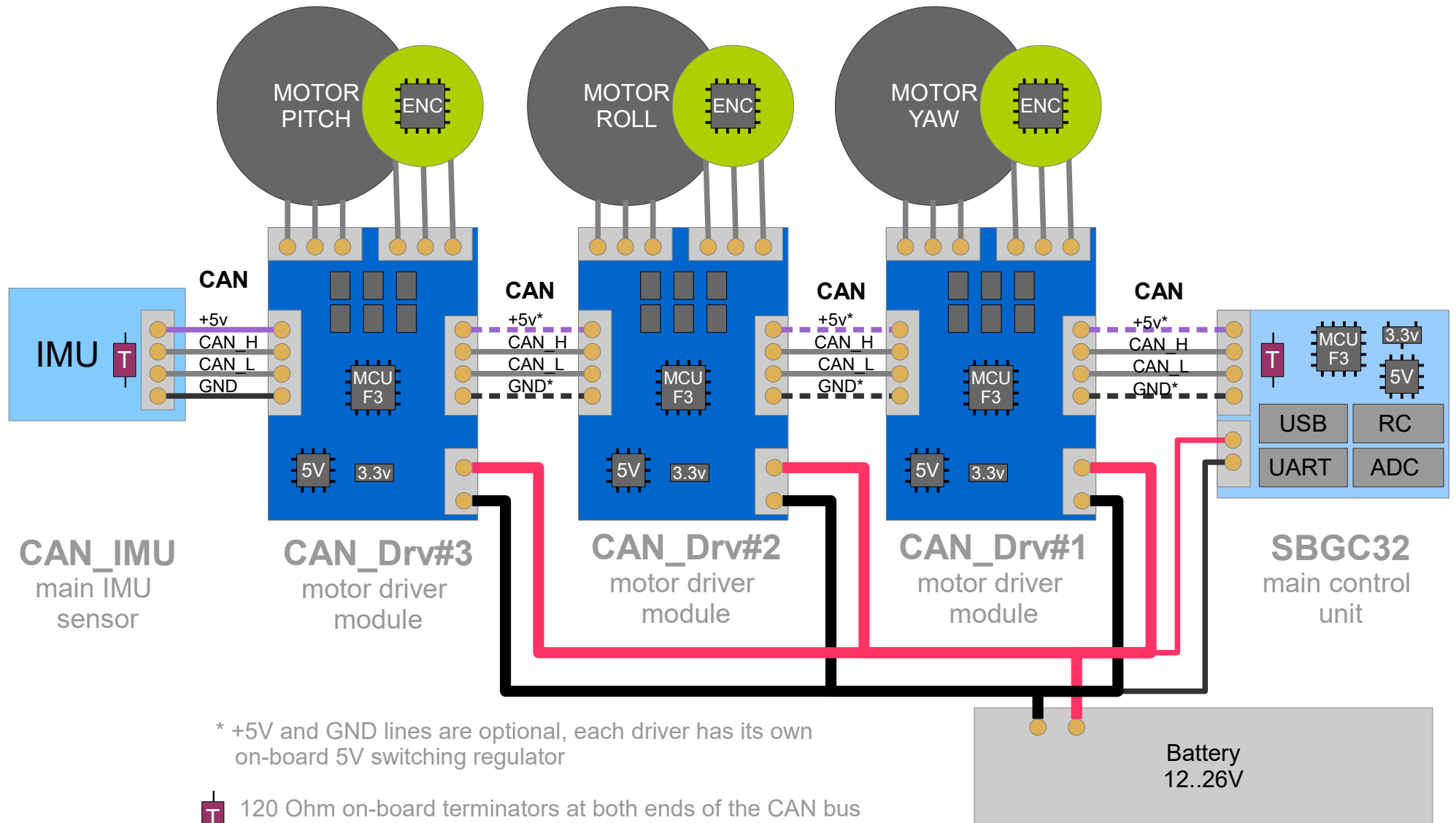


# SimpleBGC32 encoder-enabled modular system with CAN-bus connection



\* +5V and GND lines are optional, each driver has its own on-board 5V switching regulator

**T** 120 Ohm on-board terminators at both ends of the CAN bus  
 - on the MCU board is enabled by default,  
 - on other boards may be enabled by jumpers